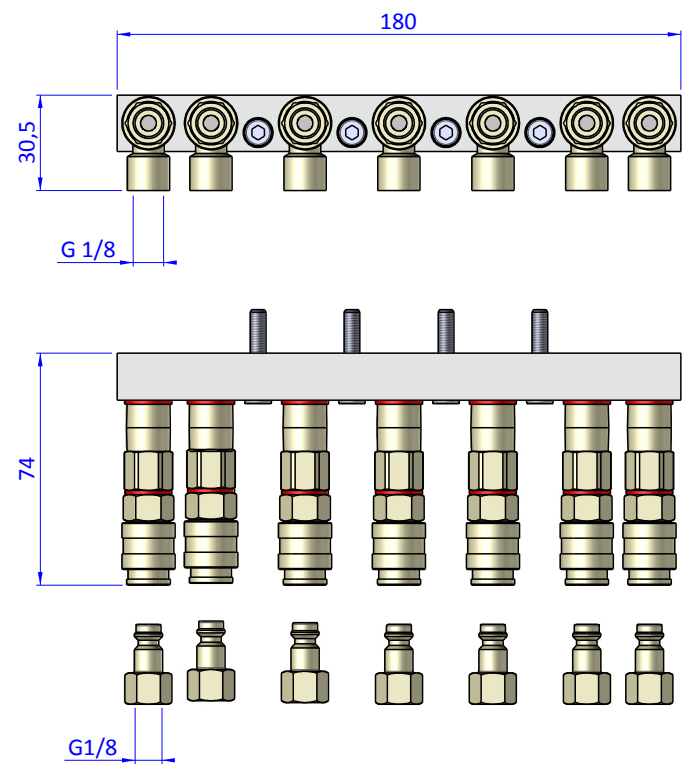
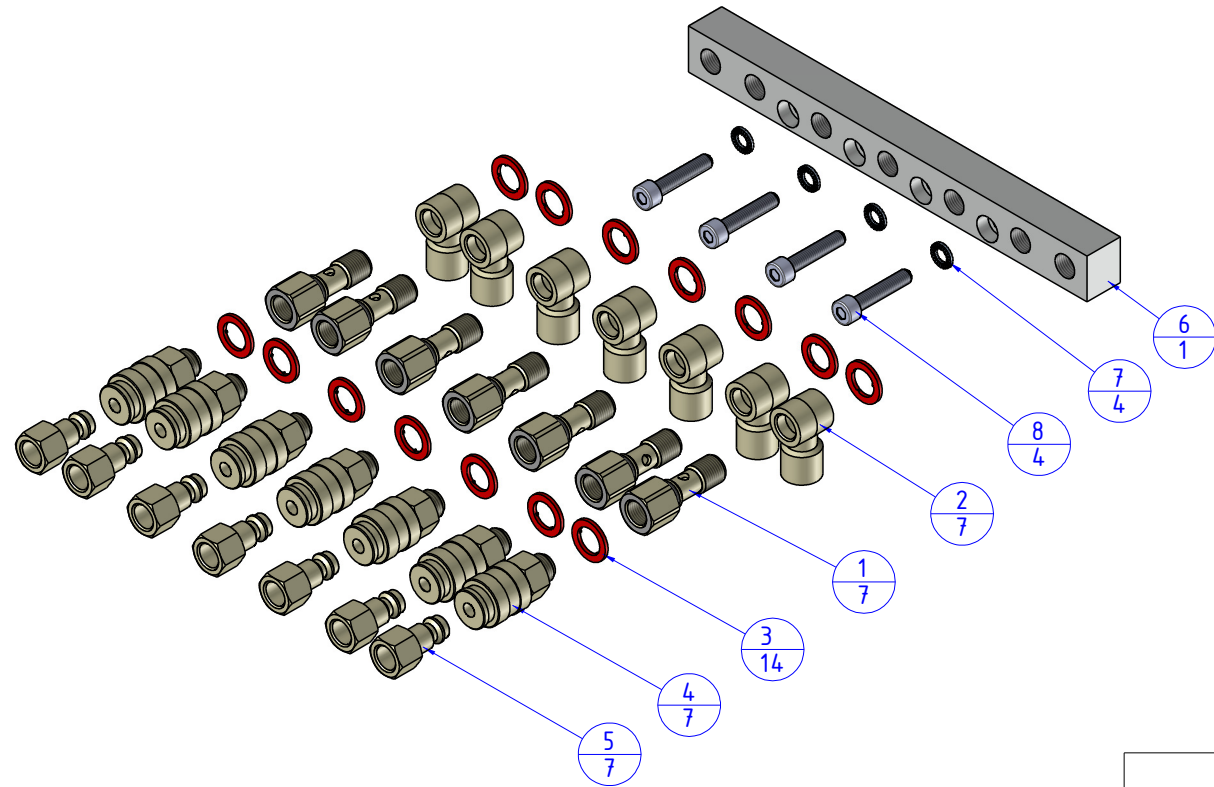



THE PROPERTY OF THE DRAWING IS ESTABLISHED BY LAW. IT IS FORBIDDEN TO PRODUCE OR SHOW IT TO THIRD PARTY, WITHOUT A WRITTEN AGREEMENT.

Item	Name	Qty.
1	CA.01.08.003	7
2	CA.01.08.004	7
3	CA.08.09.18	14
4	CA.12.06.001	7
5	CA.12.06.005	7
6	LAL.2.7	1
7	R.5.SCH	4
8	V.TCE5x25	4



Format A3  
UNI 936-76

 FPS SERVICES AUTOMATION		DESIGNED FROM	REVIEW
		FPS Automation	A
GENERAL TOLERANCE	DESCRIPTION	DATE	WEIGHT
UNI - ISO 2768		25/07/2019	0,854kg
CLASSE f		CODE	CA.LAL.2.7
		CALAL.2.7	